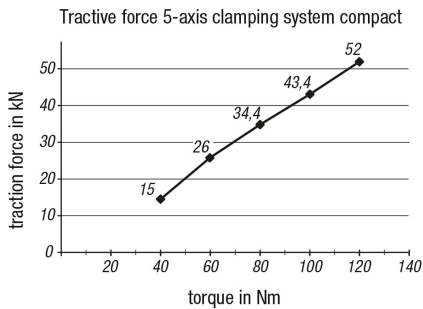
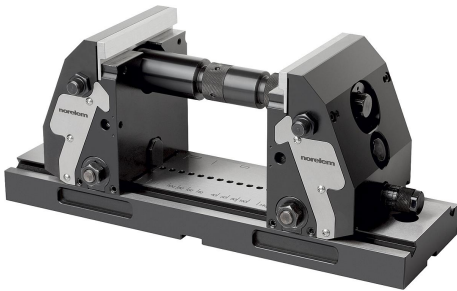


Item description/product images



Description

Material:

Base plate and jaw hardened steel.
Vice jaws tool steel.

Version:

Jaws black oxidised.
Jaw plates bright.

Note:

The easy operability and rapid adjustment using a scale means that the clamping jaws can be quickly and surely adapted to new workpieces. The workpiece is always centred through the systematic construction of the 5-axis compact clamping system. The optimal accessibility to the workpiece allows short, standard tooling to be used. Tooling costs are significantly reduced.

Positive down force by a clamping depth of >5 mm.
Clamping widths of 20 mm to 320 mm are possible.

Assembly:

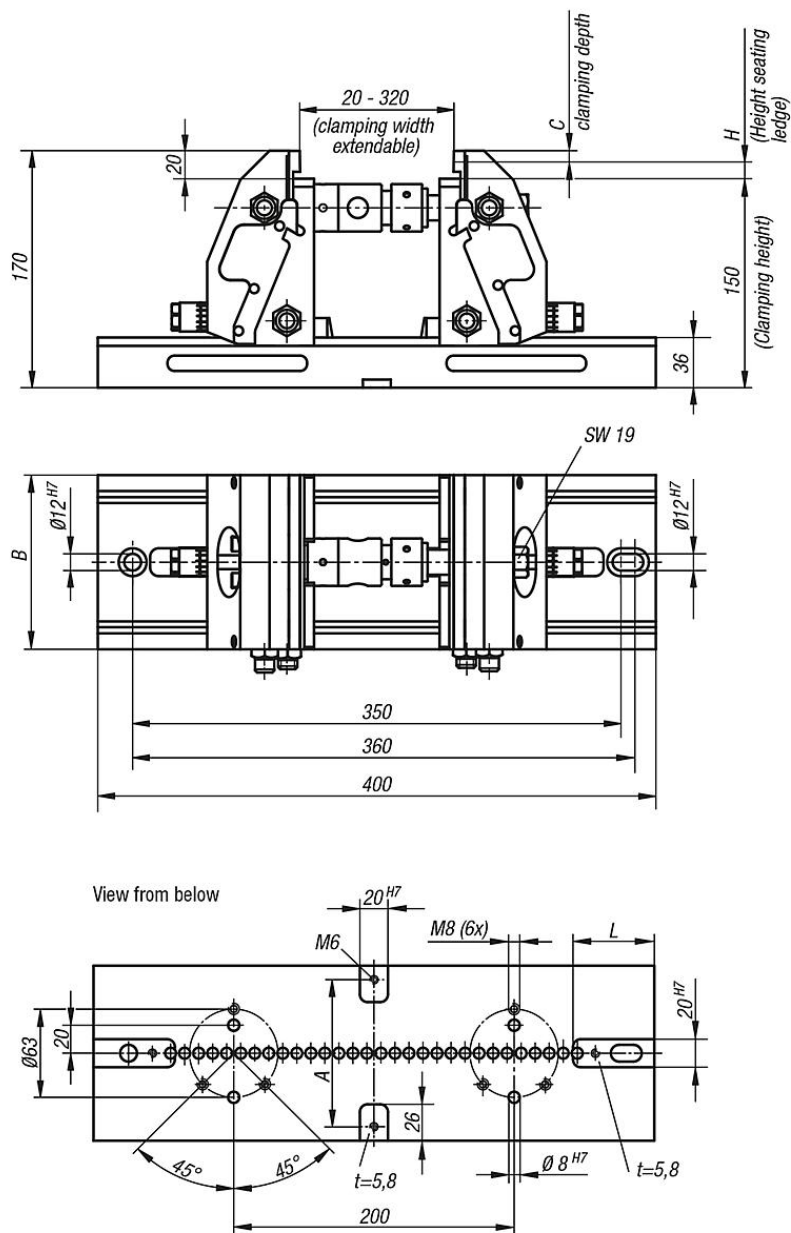
The 5-axis clamping system compact can be mounted on T-slot tables, grid systems or, using an adapter flange on conventional zero-point clamping systems.

Accessory:

Seating ledge 41345
Jaw plates 41320
Pendulum jaws 41325
Centre jaws 41335
Coupling for cross-clamping 41365

Order the seating ledges and jaw plates with pins separately.

Drawings



Overview of items

5-axis clamping system compact, smooth vice jaws

Order No.	A	B	C	H	L	Tractive force max. kN	Suitable shoulder screw	weight kg
41300-124000901500	70	90	8/3	12/17	57,5	52	07533-12055	22.272
41300-124001251500	105	125	8/3	12/17	58	52	07533-12055	31

